

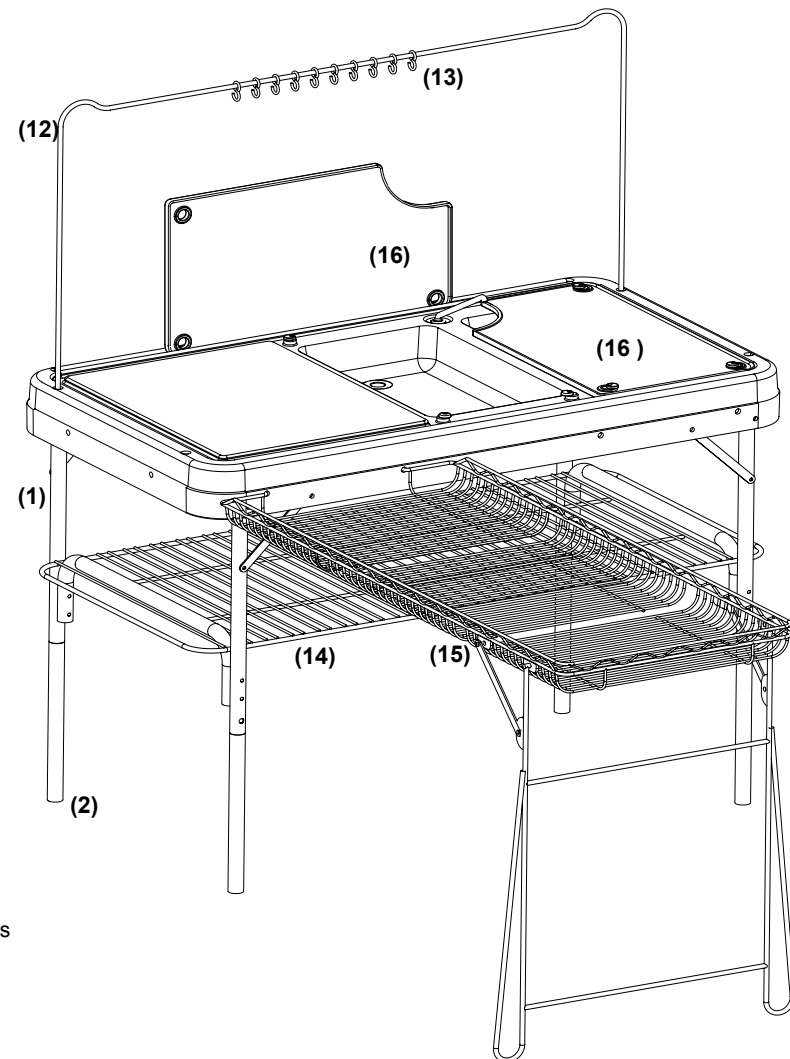
CAMP GOURMET™ KITCHEN

55350
EVERYTHING,
AND THE KITCHEN SINK



OWNER'S MANUAL & WARRANTY INFORMATION

THIS MANUAL CONTAINS IMPORTANT INFORMATION REGARDING SAFETY, OPERATION, MAINTENANCE AND STORAGE OF THIS PRODUCT. READ CAREFULLY BEFORE USE AND RETAIN FOR FUTURE REFERENCE.



* Please note that you will need to supply two 5 gallon collapsible Reliance Fold-A-Carriers and one air mattress style universal air pump to complete your fresh and waste water systems

CONVENIENT SELF-CONTAINED KITCHEN, PREP & COOK CENTER

Congratulations! You have purchased one of highest quality collapsible Camp Kitchens on the market. The Camp Gourmet™ Kitchen has many innovative features and is made of the highest quality material to give you years of reliable and dependable service. Please keep in mind when setting up your kitchen to choose a site that has firm and level ground, and to properly dispose of wastewater at least 500 feet from any water source and your solid waste should be kept in proper animal proof receptacles. Do not place hot pots or pans onto the plastic surfaces which could be damaged. **Enjoy your Camp Gourmet™ Kitchen!**

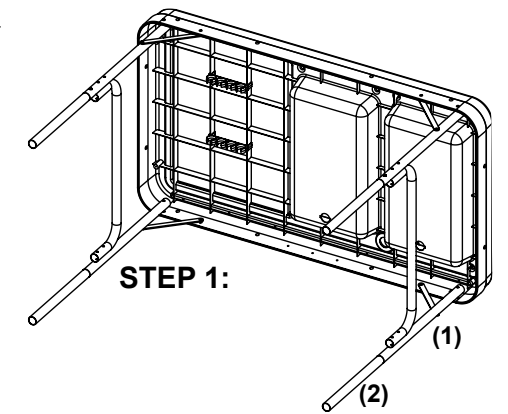
GSI OUTDOORS

1023 S PINES RD SPOKANE WA USA 99206
1.800.704.4474 phone 1.800.732.9474 fax GSIOUTDOORS.COM

SETTING UP YOUR GSI OUTDOORS CAMP GOURMET™ KITCHEN:

STEP 1 – UNPACK AND ASSEMBLE LEGS

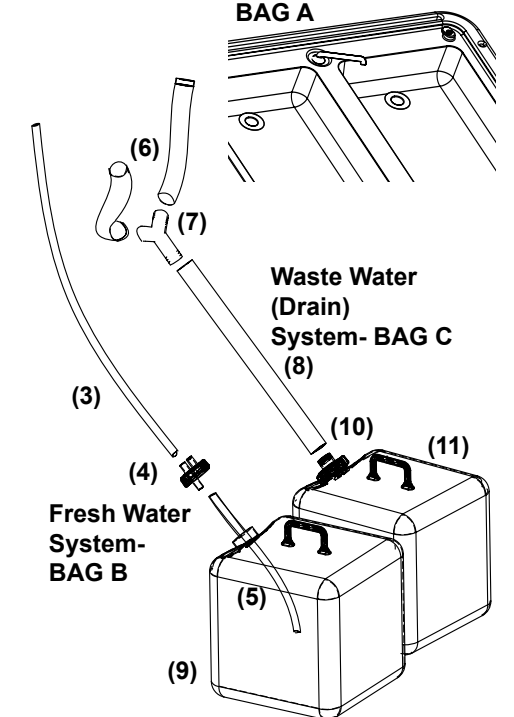
- 1) Remove your Camp Kitchen from the Box and plastic covering.
- 2) Rotate out the aluminum legs [#1] and lock into position.
- 3) Disconnect the cinch strap and remove components from underneath and set aside.
- 4) Take the leg extensions [#2] and firmly screw them onto each leg.
- 5) Set the table on its feet and level as needed by adjusting the screw levelers on the bottom of the leg extensions.
- 6) Open the sink storage areas by rotating the small plastic disks (they will be tight the first few uses) so that they align with the holes on the Cutting Boards [#16] and remove the Cutting Boards.
- 7) Remove the four bags – BAG A – Faucet Assembly, BAG B – Fresh Water System Assembly, BAG C – Waste Water/Drain Assembly and BAG D – S Hooks.



STEP 2: FAUCET AND FRESH WATER SYSTEM ASSEMBLY

- 1) Remove the three parts in BAG A – Faucet, Faucet Flange and Bottom Nut.
- 2) Place the Faucet Flange into the hole between the two sinks and align the notches.
- 3) Feed the Faucet up through the Faucet Flange.
- 4) Tightly screw the Bottom Nut onto the bottom of the threaded Faucet Flange.
- 5) Remove the contents from BAG B – one long Fresh Water Hose, one short Fresh Water Hose both attached to the Fresh Water Adapter Top.
- 6) Insert the short Fresh Water Hose into your filled Reliance 5 gallon Fold-A-Carrier [#5] and screw on the Fresh Water Adapter Top [#4].
- 7) Connect the longer end of the Fresh Water Hose [#3] onto the underside of the Faucet.
- 8) Firmly fit the conical attachment of your mattress pump into the remaining open nipple on the Fresh Water Adapter Top. By pumping your fresh water container with air, the water will feed up and through the faucet.
- 9) We recommend that you label your water and waste containers with a marker to prevent accidental contamination of your fresh water.

STEP 2 & 3: Faucet Assembly- BAG A



STEP 3: WASTE WATER SYSTEM ASSEMBLY

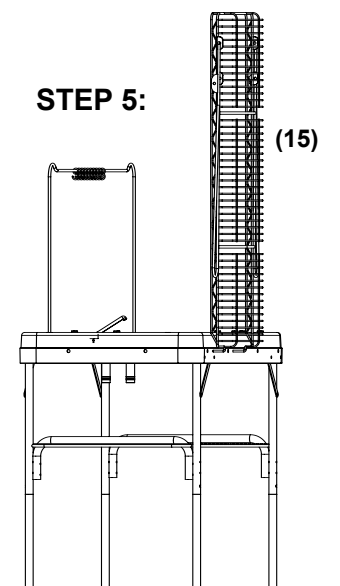
- 1) Remove BAG C – two Drain Tube Inserts, one Y shaped Drain Assembly, 3 each Corrugated Hoses and one Waste Adapter Top [#10] for your Reliance 5 gallon Fold-A-Carrier.
- 2) Fit the two Drain Tubes into the sinks from the top down and rotate one-eighth turn to lock into place.
- 3) Fit the two short Corrugated Hoses [#6] onto the underside ends of the Drain Tubes and connect.
- 4) Firmly screw the Waste Water adapter [#10] top onto your Reliance Fold-A-Carrier® 5 gallon container [#11] and connect the Corrugated Hose [#8] .

STEP 4: ACCESSORIES INSTALLATION

- 1) Remove S hooks [#13] from BAG D.
- 2) Feed the closed side of the S hooks [#13] BAG D onto the Wire Hanging Rack [#12] and install the rack into the receiving holes on the top surface of the kitchen.
- 3) Install the Wire Storage Rack [#14] onto the aluminum leg supports and firmly fit into position.

STEP 5: COOK SURFACE INSTALLATION

- 1) Insert the Wire Cook Surface [#15] into one of six possible positions around the perimeter as shown on the outside of the color box.
- 2) Hold the Wire Cook Surface [#15] vertically and fit the metal two prongs into the pair of receiving holes and slowly rotating the Cook Surface downwards into a horizontal position.
- 3) Rotate down the leg and lock into position.
- 4) Check the stability of the entire unit carefully making final adjustments to the terrain and you're ready to cook!



Additional parts available directly from GSI Outdoors:

- | | |
|------------|---|
| #55350-P2 | Cutting Board |
| #55350-A1 | Sink Drain Waste Water Set (5 pieces total) <i>includes: Short Drain Tubes (2), Y, Waste Adapter Top, 4 ft. Waste Hose</i> |
| #55350-P4 | Drain Plug (2 pieces) |
| #55350-A2 | Faucet Assembly Set (3 pieces) <i>includes: Faucet, Upper Flange, Bottom Nut</i> |
| #55350-A3 | Fresh Water Set (2 pieces total) <i>includes: Water Feed Adapter for Container, 4 ft. Water Supply Hose</i> |
| #55351 | Wire Cooking Surface (1 piece) |
| #55350-P17 | Wire Shelf (1 piece) |
| #55350-P18 | Wire Hanging Rack (1 piece) |
| #55350-A4 | Leg Extension w/ Leveler (1 piece) |
| #55350-P31 | S-Hook Set (10 pieces) |